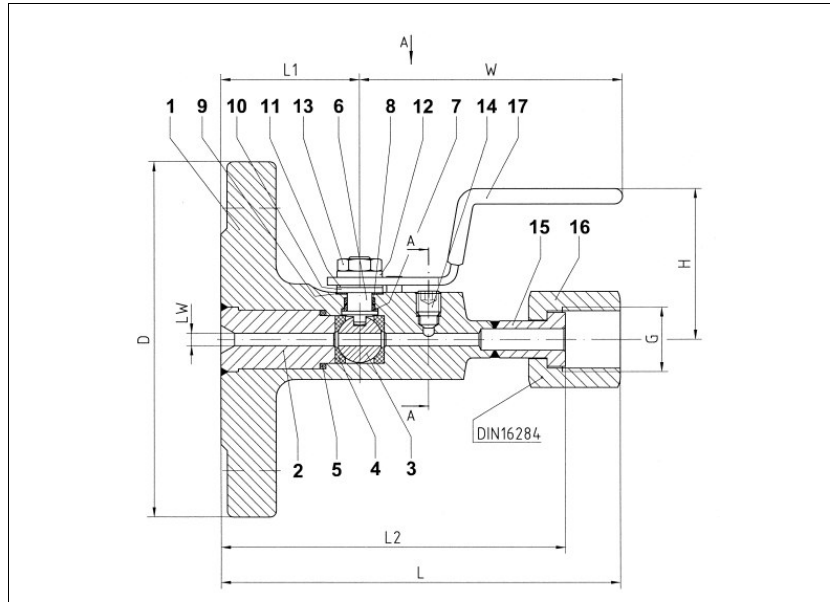


BALL VALVES INTEC

K620/3, DN15 - DN100, PN16/40
with vent bore



Pressure gauge ball valve with flange connection acc. to EN 1092 collar cap with cap nut G 1/2" acc. to DIN 16284 face to face dimensions acc. to producers standard

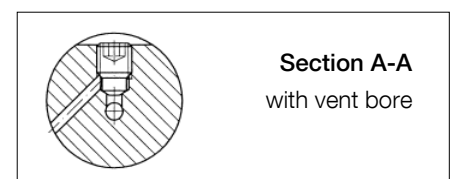
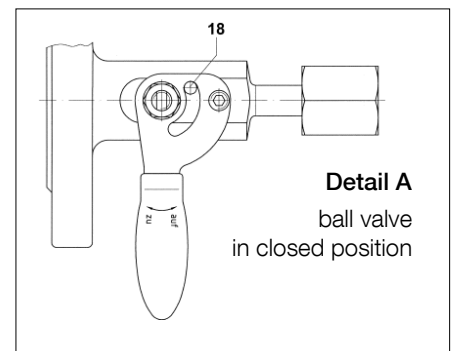
Specification:

Pressure gauge ball valve with flange connection acc. to EN 1092, collar cap with cap nut G 1/2" acc. to DIN 16284, fully welded body material stainless steel (1.4408/1.4571/1.4404), antistatic device, free of non ferrous metals, maintenance free shaft sealing with friction washer and cone ring, with vent bore, the design of the lever prevent aeration in opened position (patented!), certified acc. to GERMAN clean air act VDI 2440, with lever.

Marking: INTEC

Type: K620/3

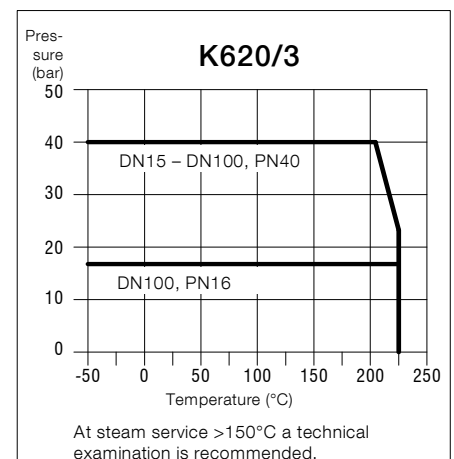
No.	Part	Material code
1	body	1.4408/1.4571/1.4404
2	cap	1.4571/1.4404
3	ball	1.4571/1.4404
4	seat	KFGN
5	seal	KF
6	stem	1.4571/1.4404
7	friction washer	KFSM
8	cone ring	KF
9	antistatic element	KFA
10	washer	A2
11	plate spring	1.4310
12	serrated lock washer	A2
13	hex. nut	A2
14	vent screw	A4/1.4571/1.4404
15	collar cap	1.4571/1.4404
16	cap nut	1.4571/1.4404
17	safety lever	1.4301/plasticised PVC
18	stopper	1.4571/1.4404



Dimensions

DN mm	LW	PN	G	dimensions (mm)					
				L	L1	L2	H	W	D
15	4	40	1/2"	130	45	112	49	86	95
20	4	40	1/2"	130	45	112	49	86	105
25	4	40	1/2"	130	45	112	49	86	115
32	4	40	1/2"	130	45	112	49	86	140
40	4	40	1/2"	130	45	112	49	86	150
50	4	40	1/2"	130	45	112	49	86	165
65	4	40	1/2"	130	45	112	49	86	185
80	4	40	1/2"	130	45	112	49	86	200
100	4	16	1/2"	130	45	112	49	86	220
100	4	40	1/2"	130	45	112	49	86	235

Other pressure classes on request



Ordering example:

INTEC K620/3, DN25, PN40, 1.4571